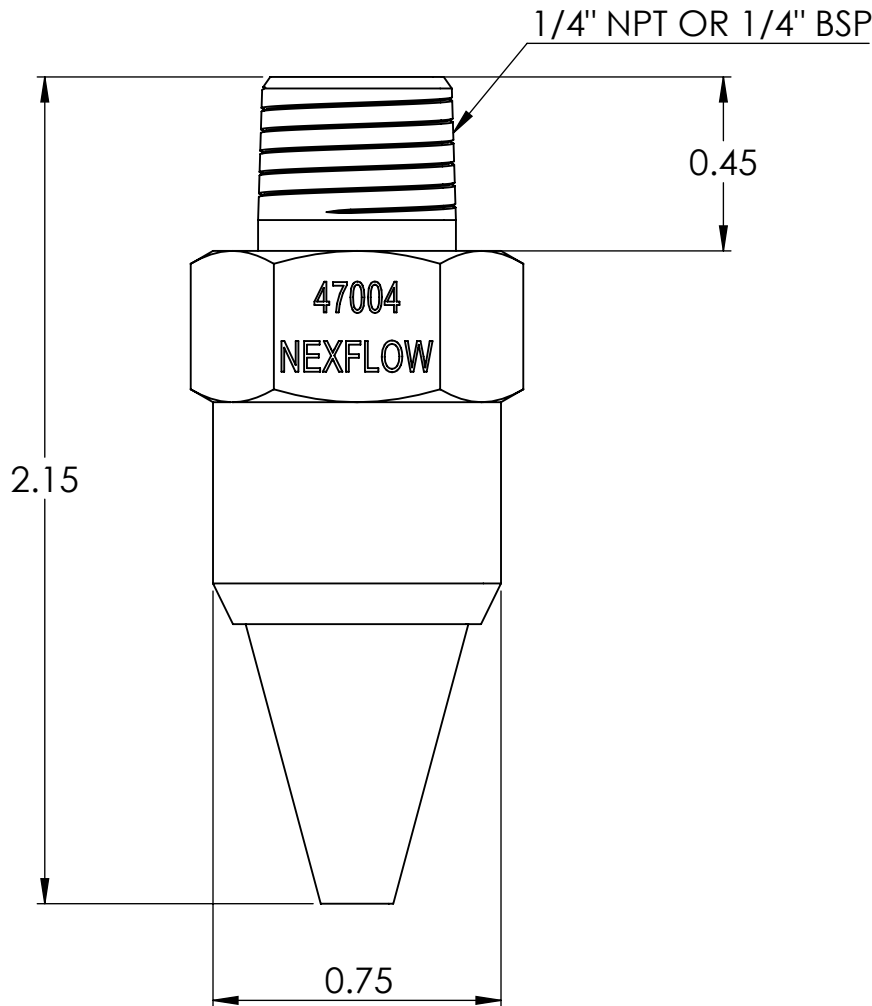
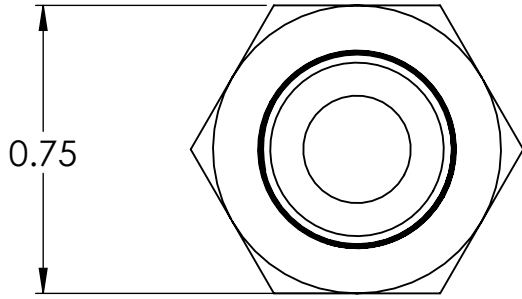


2

1



B

B

A

A

PROPRIETARY AND CONFIDENTIAL THE INFORMATION CONTAINED IN THIS DRAWING IS THE SOLE PROPERTY OF NEXFLOW. ANY REPRODUCTION IN PART OR AS A WHOLE WITHOUT THE WRITTEN PERMISSION OF NEXFLOW IS PROHIBITED.		DIMENSIONS ARE IN INCHES TOLERANCES: FRACTIONAL ± ANGULAR: MACH ± BEND ± TWO PLACE DECIMAL ± THREE PLACE DECIMAL ±		NAME AMMAD	DATE APR/13/21	NEX FLOW™ AIR PRODUCTS CORP. 10520 YOUNG STREET, UNIT 35B220, RICHMOND HILL, ON, L4C 3C7 TEL: (416) 410-1313 & FAX: (416) 410-1806 www.nexflow.com		
		MATERIAL BRASS		CHECKED	ENG APPR.			
NEXT ASSY		USED ON		MFG APPR.		<h1 style="text-align: center;">AIR NOZZLE</h1>		
APPLICATION		DO NOT SCALE DRAWING		Q.A.				
						SIZE A	MODEL #: 47004	REV. 1
						SCALE:2:1	WEIGHT:	SHEET 1 OF 1

2

1